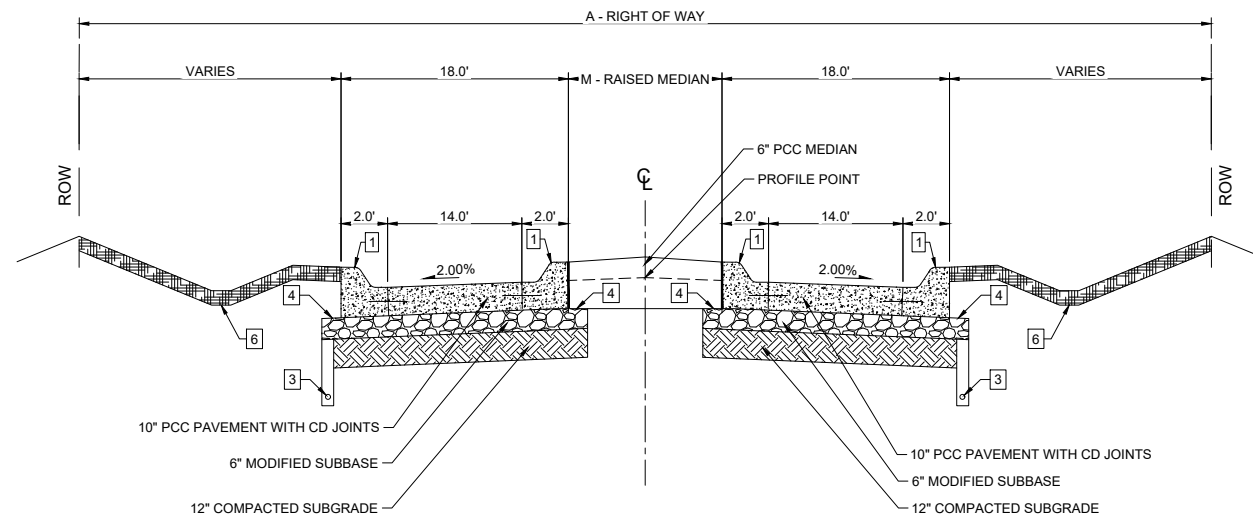


NOTES:

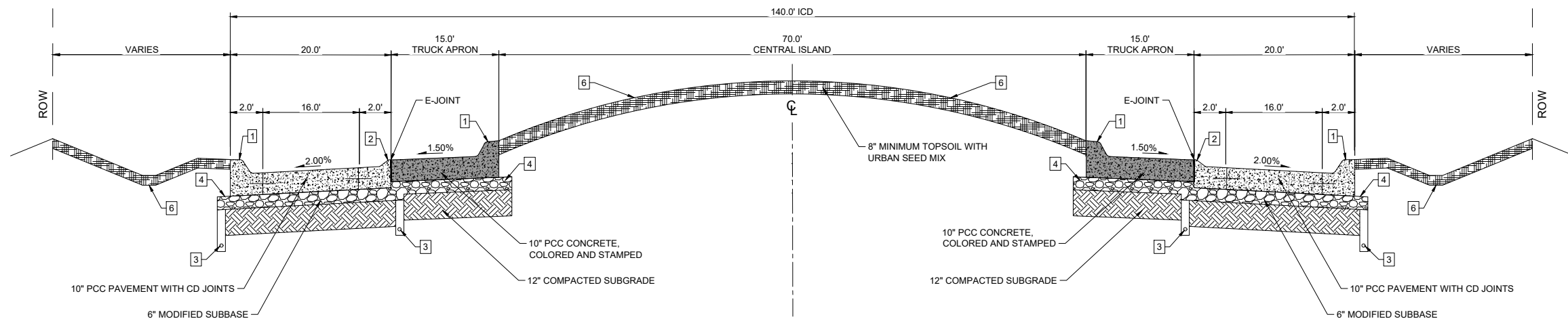
- 1 = 6" STANDARD CURB. SEE PV-102
- 3 = 6" LONGITUDINAL SUBDRAIN. SEE SUDAS 4040.231
- 4 = EXTEND SUBBASE 2' BEYOND BACK OF CURB
- 6 = SEE F-SHEETS FOR GRADING



A US-67 - TYPICAL SINGLE LANE ROADWAY SECTION
NOT TO SCALE

NOTES:

- 1 = 6" STANDARD CURB. SEE PV-102
- 2 = 4" SLOPED CURB. SEE PV-102
- 3 = 6" LONGITUDINAL SUBDRAIN. SEE SUDAS 4040.231
- 4 = EXTEND SUBBASE 2' BEYOND BACK OF CURB
- 6 = SEE F-SHEETS FOR GRADING



B U.S. HIGHWAY 67 SINGLE LANE ROUNDABOUT - TYPICAL ROADWAY SECTION (U.S. HIGHWAY 67 & 7TH AVENUE)
NOT TO SCALE